

AIR PREPARATION PRODUCTS



Table of Contents

	Page
Air Filters	5-7
Oil Removal Filters	8-9
Regulators	10-12
Lubricators.....	13-15
Filter / Regulators (Piggyback)	16-18
Pressure Gauges	18
Relief Valves.....	19-20
Drip Leg Drain.....	20
Shut-Off Valves	21
Differential Pressure Indicator	21
Combination Assemblies	22-24

AIR FILTERS

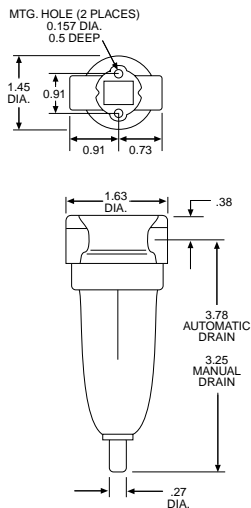


Boston Gear's Air Filters are designed for general applications in compressed air systems where effective filtration and removal of solid water particles and impurities are required. Order filters with an automatic drain when the filter will be installed in an inaccessible area and when large quantities of water are present. Water vapor will pass through these filters and could condense into liquid form downstream as the air temperature drops. An air dryer would be required if water condensation could have a detrimental effect on the application.

FEATURES

- Removes liquid and solid contaminants to protect air tools and other equipment.
- Screw-on bowl reduces maintenance time.
- Cleanable depth type element has extra large surface area for long service life. The elements can be cleaned in soap and water.
- Choice of automatic or manual drains.
- Can be disassembled for cleaning without the use of tools or removal from air line (air pressure off).
- Available in four basic sizes.

Miniature Models



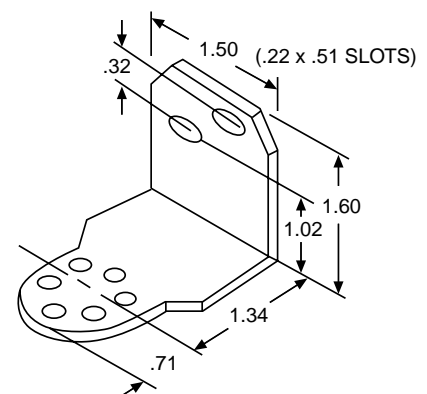
Specifications

Port Sizes – 1/8" and 1/4" NPT
 Maximum Operating Conditions
 Plastic Bowl – 150 PSIG, 125°F
 Metal Bowl – 250 PSIG, 175°F
 Filter Element
 Standard – 5 Micron
 Optional – 100 Micron
 Bowl
 Standard – 1/2 Oz. Plastic
 Optional – 1/2 Oz. Metal
 Drain – Manual or Automatic with 1/4" diameter tube connection

Materials

Body – Zinc
 Bowl –
 Plastic – Polycarbonate
 Metal – Zinc
 Filter Element – Porous Polypropylene
 Elastomers – Neoprene and Nitrile

MOUNTING BRACKET



EN41108-BT

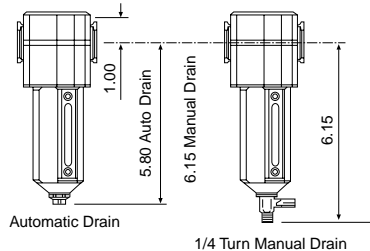
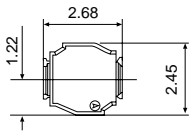
ORDER BY CATALOG NUMBER OR ITEM CODE

Port Size (NPT)	Approx. Flow* (SCFM)	Automatic Drain		Manual Drain	
		Catalog Number	Item Code	Catalog Number	Item Code
1/8	19	EN41111	74753	EN41110	74733
1/4	24	EN41121	74754	EN41120	74734

*Flow obtained at 100 PSIG inlet pressure and 5 PSID pressure drop using standard element.

AIR FILTERS

Compact Models



Specifications

Port Sizes – 1/4", 3/8" and 1/2" PTF
 Maximum Operating Conditions
 – 250 PSIG, 175°F
 Filter Element
 Standard – 40 Micron
 Optional – 5, 25 Micron
 Bowl – 1.9 Oz. Metal with Liquid Level
 Indicator Lens
 Drain – Manual – 7/16-24 UNS male thread
 Automatic – 1/8" PTF connection

Materials

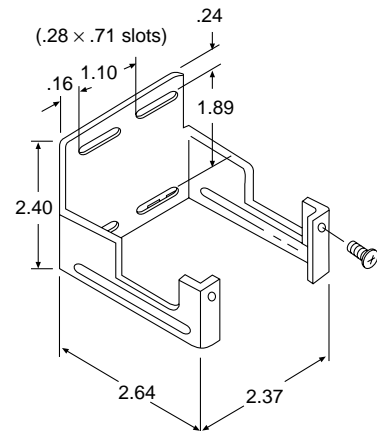
Body – Aluminum
 Bowl – Aluminum
 Filter Element – Sintered Polypropylene
 Elastomers – Neoprene and Nitrile
 Liquid Level Indicator Lens – Transparent
 Nylon

ORDER BY CATALOG NUMBER OR ITEM CODE

Port Size (PTF)	Approx. Flow* (SCFM)	Automatic Drain		Manual Drain	
		Catalog Number	Item Code	Catalog Number	Item Code
1/4	62	EN71221-MG	39914	EN71220-MG	39915
3/8	75	EN71231-MG	39916	EN71230-MG	39917
1/2	80	EN71241-MG	39918	EN71240-MG	39919

*Flow obtained at 100 PSIG inlet pressure and 5 PSID pressure drop using standard element.

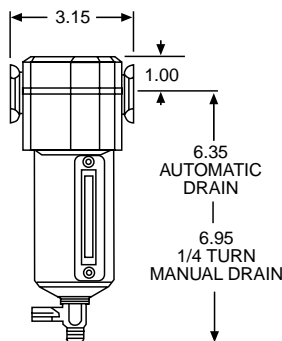
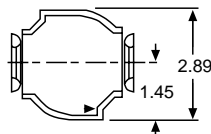
MOUNTING BRACKET



EN71208-B

ACCESSORIES / REPAIR PARTS, PAGE 7

Standard Models



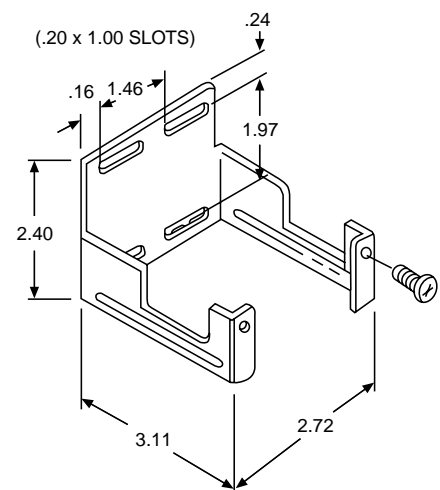
Specifications

Port Sizes – 3/8", 1/2" and 3/4" PTF
 Maximum Operating Conditions
 – 250 PSIG, 175°F
 Filter Element
 Standard – 40 Micron
 Optional – 5 and 75 Micron
 Bowl – 7 Oz. Metal with Liquid Level
 Indicator Lens
 Drain – Manual – 7/16-24 UNS male thread
 Automatic – 1/8" PTF connection

Materials

Body – Aluminum
 Bowl – Aluminum
 Filter Element – Sintered Polypropylene
 Elastomers – Neoprene and Nitrile
 Liquid Level Indicator Lens – Transparent
 Nylon

MOUNTING BRACKET



EN62308-B

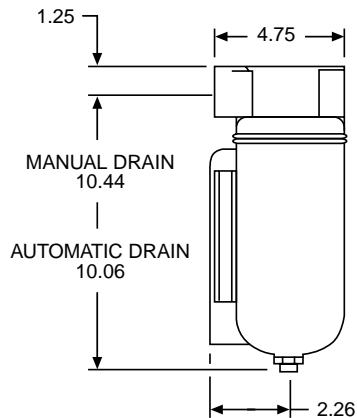
ORDER BY CATALOG NUMBER OR ITEM CODE

Port Size (PTF)	Approx. Flow* (SCFM)	Automatic Drain		Manual Drain	
		Catalog Number	Item Code	Catalog Number	Item Code
3/8	120	EN61331-MG	70683	EN61330-MG	70686
1/2	150	EN61341-MG	70684	EN61340-MG	70687
3/4	150	EN61351-MG	70685	EN61350-MG	70688

*Flow obtained at 100 PSIG inlet pressure and 5 PSID pressure drop using standard element.

AIR FILTERS

Jumbo Models



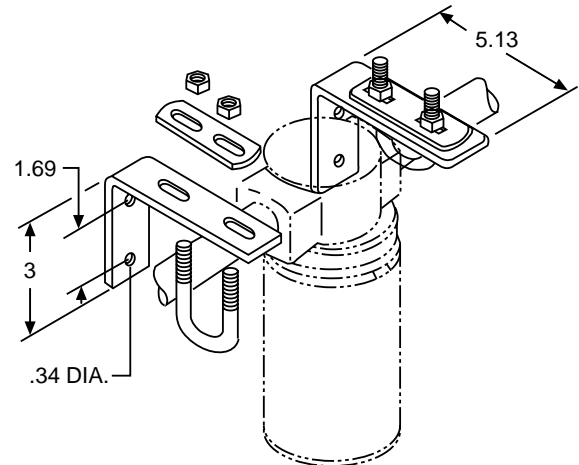
Specifications

Port Sizes – 3/4", 1", 1-1/4" and 1-1/2" PTF
 Maximum Operating Conditions
 – 250 PSIG, 175°F
 Filter Element
 Standard – 40 Micron
 Optional – 5 and 25 Micron
 Bowl – 1 Qt. metal with sight glass
 Drain – Manual or Automatic with 1/8" NPTF connection

Materials

Body – Aluminum
 Bowl – Aluminum with Pyrex Sight Glass
 Filter Element
 5, 25 and 50 Micron – Sintered Bronze
 75 Micron – Monel Screen
 Elastomers – Neoprene and Nitrile

MOUNTING BRACKET



ORDER BY CATALOG NUMBER OR ITEM CODE

Port Size (PTF)	Approx. Flow* (SCFM)	Automatic Drain		Manual Drain	
		Catalog Number	Item Code	Catalog Number	Item Code
3/4	345	EN41451-MG	73941	EN41450-MG	73927
1	445	EN41461-MG	73947	EN41460-MG	73931
1-1/4	445	EN41471-MG	73949	EN41470-MG	73933
1-1/2	445	EN41481-MG	73955	EN41480-MG	73939

*Flow obtained at 100 PSIG inlet pressure and 5 PSID pressure drop using standard element.

ACCESSORIES / REPAIR PARTS, BELOW

EN41408-BA
 EN41408-BB

Air Filter — Accessories / Repair Parts

ORDER BY CATALOG NUMBER OR ITEM CODE

Description	Miniature		Compact		Standard		Jumbo	
	Catalog Number	Item Code	Catalog Number	Item Code	Catalog Number	Item Code	Catalog Number	Item Code
Service Kit (Seals)			EN71209	39836	EN61309	70669	EN41409	70719
Plastic Bowl								
Manual Drain	EN41109-PBT	74144	EN61209-PB	70324				
Automatic Drain	EN41109-PBAT	74787	EN61209-PBA	70325				
Metal Bowl								
Manual Drain	EN41109-MB	74142	EN71209-MG	39843	EN61309-MG	76811	EN41409-MG	74923
Automatic Drain	EN41109-MAT	74143	EN71209-MGA	39844	EN61309-MGA	71082	EN41409-MGA	—
Filter Element								
5 Micron	EN41109-5	74735	EN71209-5	39850	EN61309-5	70670	EN41409-5	74983
25 Micron			EN71209-25	39851			EN41409-25	71803
40 Micron			EN71209-40	39852	EN61309-40	70671		
50 Micron							EN41409-50	74751
75 Micron					EN61309-75	—	EN41409-75	—
100 Micron	EN41109-100	—						
Automatic Drain Kit			EN71001	39829	EN41001	74752	EN41001	74752
Manual Drain Kit			EN61009	71084	EN61009	71084	EN41009	71405
Mounting Bracket								
All	EN41108-BT	76824	EN71208-B	39846	EN62308-B	70677		
3/4 & 1" Ports							EN41408-BA	76825
1-1/4 & 1-1/2 Ports							EN41408-BB	76826
Connector †			EN61308-C	76812	EN61308-C	76812		
Connector with Mounting Feet †			EN61308-CB	76813	EN61308-CB	76813		
Mounting Feet †			EN61308-F	39833	EN61308-F	39833		

† See Page 22 for Dimensions

OIL REMOVAL FILTERS



Boston Gear's oil removal (coalescing) filters are used in compressed air systems to provide an extremely clean air supply virtually free of oil aerosols. Unwanted oil is often introduced into compressed air systems by the lubricating oil in the air compressor. Typical applications include paint spraying, pneumatic control instrumentation, printing and paper separation and protection of air bearings and fluidic instrumentation. Oil removal filters are supplied with an automatic drain and a service life indicator as standard features. The service life indicator provides visual indication of the condition of the filter element, eliminating the guesswork of when to replace the element. The indicator shows green when new and as the pressure differential across the element increases it will turn to red. To ensure that the filter element provides a long service life, it is recommended that a standard air filter with a 5 micron element is placed prior to the oil removal filter.

FEATURES

- High efficiency coalescing element removes particles down to 0.01 micron. Maximum revisioning oil content of air leaving the filter is 0.01 ppm at 70°F with an inlet concentration of 8 ppm.
- Service life indicator shows red as the pressure differential across the element increases. Red will be the predominant color when the differential pressure exceeds 10 PSID indicating the element should be replaced.
- Automatic drain to provide automatic purging of contaminants in bowl.
- Can be disassembled for cleaning without tools or removal from air line (air pressure off).
- Screw on bowl reduces maintenance time.
- Sight Glass (liquid level indicator) for visual indication of amount of liquid in bowl at all times.

Specifications

Port sizes—1/4", 3/8", 1/2", 3/4", 1", 1-1/2", and 2" PTF

Maximum Operating Conditions—
250 PSIG, 150°F

Bowl—Metal

Drain—Automatic with 1/8" PTF connection.

Materials

Unit	EN71621-MG EN71631-MG	EN61631A-MG EN61641-MG EN61641-JMG EN61651-JMG	EN41651-MG EN41661-MG	EN41681-MG EN41691-MG
Body	Aluminum	Aluminum	Aluminum	Aluminum
Bowl	1.9 Oz. Aluminum	7 Oz. Aluminum	1 Qt. Aluminum	1/2 Pt. Zinc
Sight Glass (Liquid Level Indicator)	Transparent Nylon	Transparent Nylon	Pyrex	Pyrex
Elements	Synthetic Fiber and Polyurethane Foam			
Elastomers	Nitrile and Neoprene			
Service Life Indicator	Acetal and Nylon	Acetal and Nylon	Aluminum and Polycarbonate	Aluminum and Polycarbonate

ORDER BY CATALOG NUMBER OR ITEM CODE

Port Size (PTF)	Oil Removal Filter				Recommended** Pre-Filter Catalog Number
	Flow* (SCFM)	Fig.	Catalog Number	Item Code	
1/4	21	A	EN71621-MG	39920	EN71221-5MG
3/8	21	A	EN71631-MG	39921	EN71231-5MG
	20	B	EN61631A-MG	70661	EN61331-5MG
1/2	35	B	EN61641-MG	70662	EN61341-5MG
	60	C	EN61641-JMG	70663	EN61341-5MG
3/4	60	C	EN61651-JMG	70664	EN61351-5MG
	90	D	EN41651-MG	74769	EN61351-5MG
1	125	D	EN41661-MG	73984	EN41461-5MG
1 1/2	250	E	EN41681-MG	74541	EN41481-5MG
2	300	E	EN41691-MG	74542	EN41591-25MG

*Approximate flow at 100 PSIG inlet pressure and 5 PSID pressure drop.

**Refer to air filter section for specifications.

OIL REMOVAL FILTERS

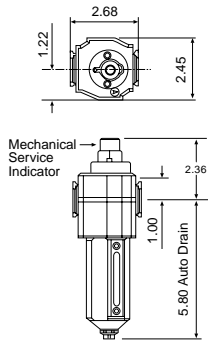


FIGURE A

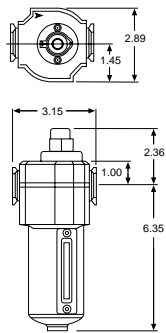


FIGURE B

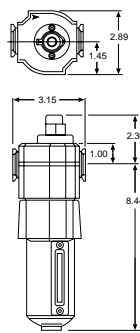


FIGURE C

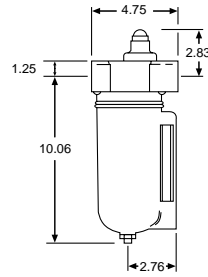


FIGURE D

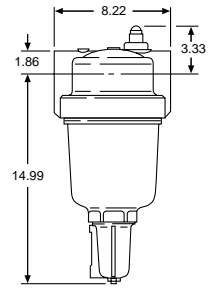


FIGURE E

Accessories/Repair Parts

ORDER BY CATALOG NUMBER OR ITEM CODE

Description	EN71621-MG EN71631-MG		EN61631A-MG EN61641-MG EN61641-JMG EN61651-JMG		EN41651-MG EN41661-MG		EN41681-MG EN41691-MG	
	Catalog Number	Item Code	Catalog Number	Item Code	Catalog Number	Item Code	Catalog Number	Item Code
Seal Kit	EN71609	39838	EN61639	70674	—	—	—	—
Metal Bowl (Manual Drain)	EN71209-MG	39843	EN61309-MG	76811	EN41409-MG	74923	EN41309-MG	74922
Metal Bowl (Automatic Drain)	EN71209-MGA	39844	EN61309-MGA	71082	—	—	—	—
Filler-Element*	EN71629	39853	EN61639-01 EN61639-02	70675(1) 70676(2)	EN41659	74825	EN41689	70668
Automatic Drain	EN71001	39829	EN41001	74752	EN41001	74752	EN41001	74752
Service Life Indicator	EN5797-50	70672	EN5797-50	70672	EN5796-50	74976	EN5796-50	74976
Mounting Bracket	EN71208-B	39846	EN61308-B	70677	EN41408-BA EN41408-BB	76825 (3) 76826 (4)	—	—

Notes:

*includes O-ring

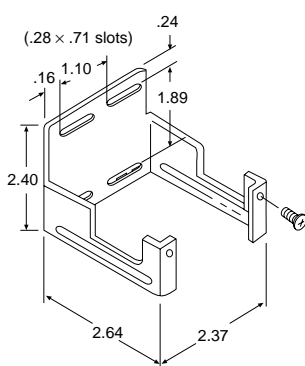
(1) EN61631A-MG & EN61641-MG

(2) EN61641-JMG and EN61651-JMG

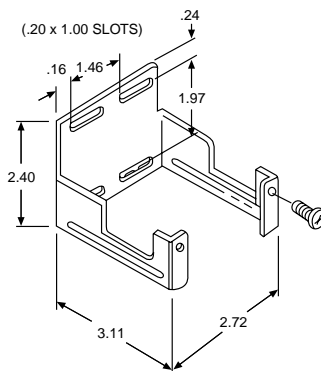
(3) EN41651-MG

(4) EN41661-MG

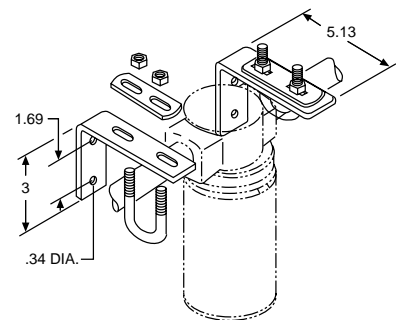
Mounting Brackets



EN71208-B



EN61308-B



EN41408-BA EN41408-BB

REGULATORS



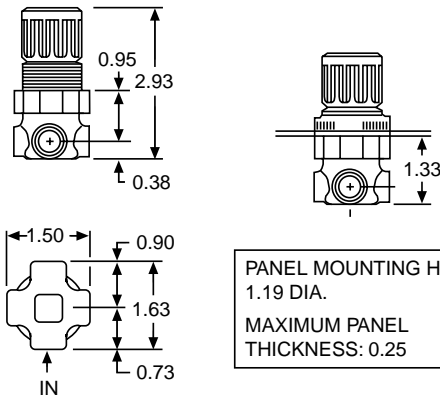
Boston Gear's pressure regulators are used in compressed air systems to reduce system pressure to a level which can be used to efficiently operate air tools and other air operated equipment. These regulators maintain the reduced pressure at a constant level despite the changes in the inlet pressure and changes in downstream flow requirements. All regulators are relieving which allow the outlet pressure to be reduced even though the system is dead-ended. Non-relieving models are available.

FEATURES

- Accurate and quick response to flow.
- Two full flow gauge ports.
- Balanced valve minimizes the effect of variations in inlet pressure on the outlet pressure.
- Low torque, non-rising pressure adjustment knob provides easy hand adjustment at any pressure. The knob has an integral locking device which can be made tamper resistant with the addition of an optional *Tamper Resistant Kit*.
- Panel or bracket mounting available.
- Can be easily disassembled for service without removal from air line (air pressure off).

Miniature Models

PANEL MOUNTING



ORDER BY CATALOG NUMBER OR ITEM CODE

Port Size (NPT)	Self Relieving Regulator with Gauge		Self Relieving Regulator without Gauge	
	Catalog Number	Item Code	Catalog Number	Item Code
1/8	EN42110-G	74911	EN42110	74766
1/4	EN42120-G	74912	EN42120	74767

Port Size (NPT)	Non Relieving Regulator with Gauge		Non Relieving Regulator without Gauge	
	Catalog Number	Item Code	Catalog Number	Item Code
1/8	EN42110-WG	—	EN42110-W	—
1/4	EN42120-WG	74994	EN42120-W	74938

Specifications

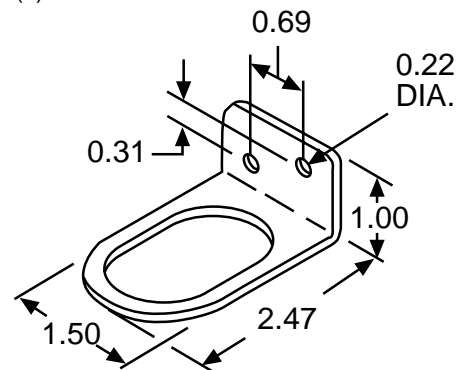
Main Ports – 1/8" and 1/4" NPT
Types – Diaphragm, Self Relieving Diaphragm, Non-Relieving (-W)
Operating Conditions
Maximum Inlet Pressure – 300 PSIG
Temperature Range – 0 to 150°F
Gauge Ports – Two 1/8" NPT, full flow
Outlet Pressure Adjustment Range* –
Standard – 5 to 100 PSIG
Optional – 1 to 10 PSIG (LL)
Optional – 5 to 50 PSIG (L)

Materials

Body – Zinc
Bonnet – Acetal
Valve – Brass/Nitrile or Geolast®
Valve Seat – Acetal
Elastomers – Nitrile

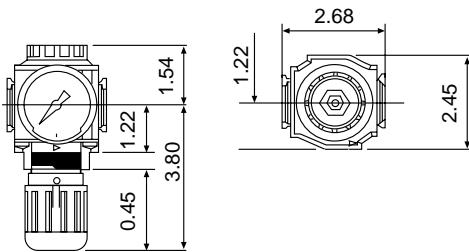
*Outlet pressure adjustment ranges are not minimum or maximum outlet pressure limits. Regulators can be adjusted to zero PSIG outlet pressure and, generally, to pressures in excess of those specified. The use of these regulators to control pressures outside of the specified ranges is not recommended.

MOUNTING BRACKET



EN42108-B

Compact Models



Specifications

Main Ports – 1/4", 3/8" and 1/2" PTF
 Types – Diaphragm, Self Relieving
 Operating Conditions
 Maximum Inlet Pressure – 300 PSIG
 Temperature Range – 0 to 175°F
 Gauge Ports – Two 1/4" PTF, full flow
 Outlet Pressure Adjustment Range* –
 Standard – 5 to 150 PSIG
 Optional – 5 to 60 PSIG (L)
 Optional – 10 to 250 PSIG (H)

Materials

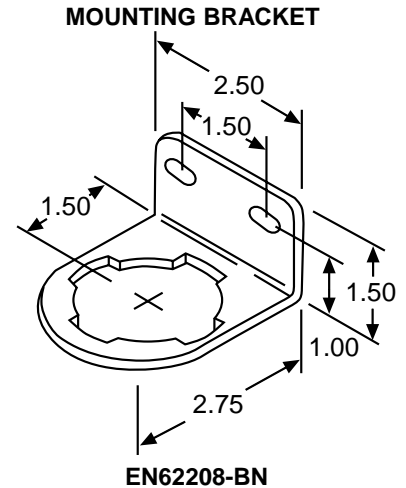
Body – Aluminum
 Bonnet – Aluminum
 Valve – Brass
 Elastomers – Nitrile
 Bottom Plug – Acetal

*Outlet pressure adjustment ranges are not minimum or maximum outlet pressure limits. Regulators can be adjusted to zero PSIG outlet pressure and, generally, to pressures in excess of those specified. The use of these regulators to control pressures outside of the specified ranges is not recommended.

ORDER BY CATALOG NUMBER OR ITEM CODE

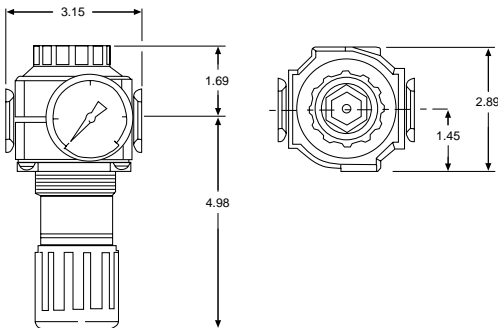
Port Size (PTF)	Regulator with Gauge		Regulator without Gauge	
	Catalog Number	Item Code	Catalog Number	Item Code
1/4	EN72220-G	39928	EN72220	39929
3/8	EN72230-G	39930	EN72230	39931
1/2	EN72240-G	39932	EN72240	39933

Note: To mount an FRL Assembly you may order two (2) pcs EN61308-F (39833) in place of this bracket.



ACCESSORIES / REPAIR PARTS, PAGE 12

Standard Models



Specifications

Main Ports – 3/8", 1/2" and 3/4" PTF
 Types – Diaphragm, Self Relieving
 Operating Conditions
 Maximum Inlet Pressure – 300 PSIG
 Temperature Range – 0 to 175°F
 Gauge Ports – Two 1/4" PTF, full flow
 Outlet Pressure Adjustment Range* –
 Standard – 5 to 150 PSIG
 Optional – 5 to 60 PSIG (L)

Materials

Body – Aluminum
 Bonnet – Aluminum
 Valve – Brass
 Elastomers – Nitrile
 Bottom Plug – Acetal

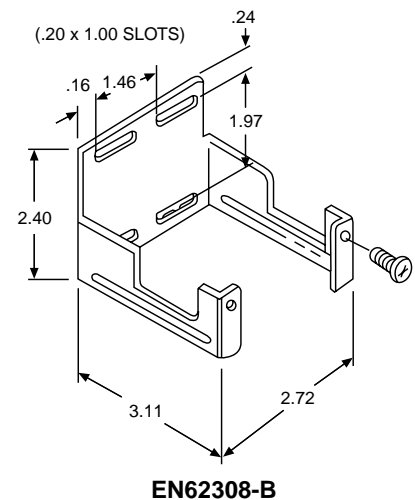
*Outlet pressure adjustment ranges are not minimum or maximum outlet pressure limits. Regulators can be adjusted to zero PSIG outlet pressure and, generally, to pressures in excess of those specified. The use of these regulators to control pressures outside of the specified ranges is not recommended.

ORDER BY CATALOG NUMBER OR ITEM CODE

Port Size (PTF)	Regulator with Gauge		Regulator without Gauge	
	Catalog Number	Item Code	Catalog Number	Item Code
3/8	EN62330-G	70689	EN62330	70692
1/2	EN62340-G	70690	EN62340	70693
3/4	EN62350-G	70691	EN62350	70694

Note: To mount an FRL Assembly you may order two (2) pcs EN61308-F (39833) in place of this bracket.

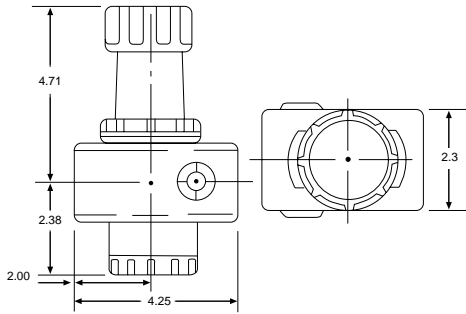
MOUNTING BRACKET



ACCESSORIES / REPAIR PARTS, PAGE 12

REGULATORS

Jumbo Models



Specifications

Main Ports – 3/4", 1" 1-1/4" and 1-1/2" PTF
 Types – Diaphragm, Self Relieving
 Operating Conditions
 Maximum Inlet Pressure – 300 PSIG
 Temperature Range – 0 to 175°F
 Gauge Ports – Two 1/4" PTF, full flow
 Outlet Pressure Adjustment Range* –
 Standard – 5 to 125 PSIG
 Optional – 5 to 50 PSIG (L)
 Optional – 12 to 250 PSIG (H)

Materials

Body – Aluminum
 Bonnet – Aluminum
 Valve – Aluminum and Nylon
 Elastomers – Nitrile
 Bottom Plug – Aluminum

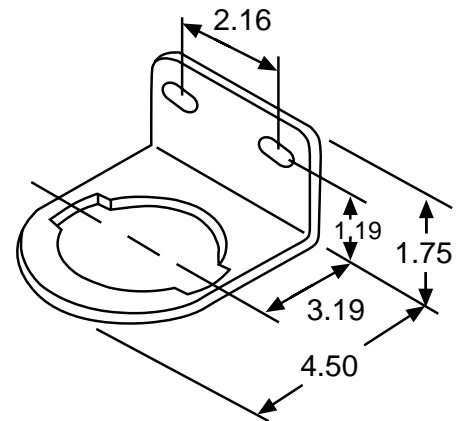
*Outlet pressure adjustment ranges are not minimum or maximum outlet pressure limits. Regulators can be adjusted to zero PSIG outlet pressure and, generally, to pressures in excess of those specified. The use of these regulators to control pressures outside of the specified ranges is not recommended.

ORDER BY CATALOG NUMBER OR ITEM CODE

Port Size (PTF)	Regulator with Gauge		Regulator without Gauge	
	Catalog Number	Item Code	Catalog Number	Item Code
3/4	EN42450-G	74909	EN42450	74930
1	EN42460-G	74910	EN42460	74820
1 1/4	EN42470-G	74906	EN42470	74937
1 1/2	EN42480-G	71776	EN42480	71767

ACCESSORIES / REPAIR PARTS, BELOW

MOUNTING BRACKET



EN42408-BN

Regulator — Accessories / Repair Parts

ORDER BY CATALOG NUMBER OR ITEM CODE

Description	Miniature		Compact		Standard		Jumbo	
	Catalog Number	Item Code	Catalog Number	Item Code	Catalog Number	Item Code	Catalog Number	Item Code
Repair Kit								
Self Relieving	EN42109	70755	EN72209	39839	EN62309	70678	EN42409	74823
Non Relieving	EN42109-W	73862	EN72209-NR	39840	EN62309-W	70679	EN42409-W	73865
Adjustment Spring								
1 to 10 (LL)	EN42108-LL	70799						
5 to 50 (L)	EN42108-L	70800					EN42308-L	74992
5 to 60 (L)			EN72208-L	39847	EN62308-L	71011		
5 to 100 (Std)	EN42108	70814					EN42308	70760
5 to 125 (Std)			EN72208	39848	EN62308	71010		
5 to 150 (Std)			EN72208-H	39849			EN42308-H	70761
12 to 250 (H)								
Panel Nut	EN42108-N	74817	EN62209-NZ	70333	EN62309-N	70680		
Mounting Bracket	EN42108-B	74770			EN62308-B	70677		
Mounting Bracket With Panel Nut	EN42108-BN	74706	EN62208-BN	70336			EN42408-BN	70815
Tamper Resistant Kit	EN42108-TRN*	76814	EN72208-TR	39854	EN62308-TR	76815	EN42108-TR	74775
Connector†			EN61308-C	76812	EN61308-C	76812		
Connector with Mounting Feet†			EN61308-CB	76813	EN61308-CB	76813		
Mounting Feet†			EN61308-F	39833	EN61308-F	39833		

*Adjustment knob with locking screw

† See Page 22 For Dimensions

LUBRICATORS



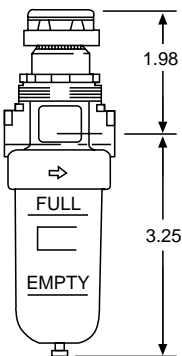
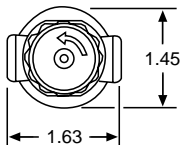
Boston Gear Lubricators are used in compressed air systems to provide the proper amount of lubrication required for downstream components. Two styles of lubricators are available, the Standard and Micro-Lube. Each has its own characteristics as described below.

FEATURES

- Flow sensor design provides a nearly constant oil/air ratio over a wide range of air flows.
- All around (360°) visibility of the sight-feed dome simplifies installation and adjustment.
- Simple knob type, oil-feed control with integral sight-feed dome permits fine adjustment of oil-feed rate to provide the proper degree of lubrication at the point of need.
- Final oil-feed adjustment is easily locked with integral push-pull locking ring on the control knob. Optional *Tamper Resistant Kit* can be installed to resist unauthorized adjustment.

Boston Gear offers two styles of lubricators for use in industrial compressed air systems to lubricate air driver devices. **Standard Lubricators** are used in industrial compressed air systems to lubricate a single air tool, cylinder, valve or air motor. They inject a finely divided "fog" of oil into the air stream. One standard lubricator should be provided for each device requiring lubrication. The standard lubricators can be filled under pressure. **Micro-Lube Lubricators** inject a finely divided "Micro-Fog" of oil into the air stream, which allow usage in systems containing complex piping and multiple points of lubrication. Typical applications are air tools, cylinders, valves and air motors.

Miniature Models



Specifications

Port Sizes – 1/8" and 1/4" NPT
 Maximum Operating Conditions
 Plastic Bowl – 150 PSIG, 125°F
 Metal Bowl – 250 PSIG, 175°F
 Bowl Capacity – 1 oz.
 Recommended Lubricants: Use a misting type oil rated 50 to 200 SSU (ISO grade 7 to 46) at 100°F. The oils must be compatible with materials of construction.

Materials

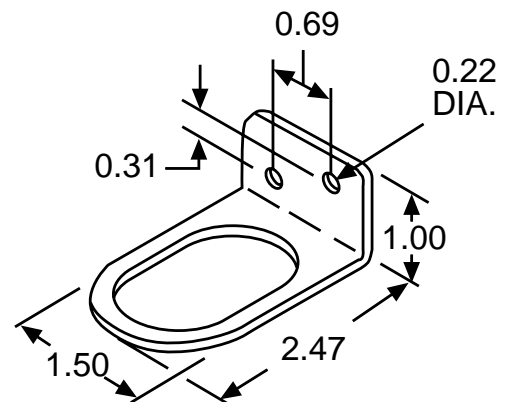
Body – Zinc
 Bowl –
 Plastic – Polycarbonate
 Metal – Zinc
 Sight Feed Dome – Transparent Nylon
 Elastomers – Neoprene and Nitrile

ORDER BY CATALOG NUMBER OR ITEM CODE

Port Size (NPT)	Recommended Flow Range* (SCFM)	Micro-Lube Lubricators	
		Catalog Number	Item Code
1/8	0.5 to 10	EN43111-F	74790
1/4	0.5 to 10	EN43121-F	74791

*At 100 PSIG inlet pressure and 5 PSID

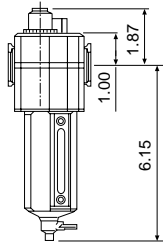
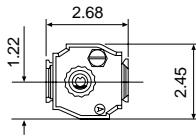
MOUNTING BRACKET



EN42108-BN

LUBRICATORS

Compact Models



Specifications

Port Sizes – 1/4", 3/8", and 1/2" PTF
 Maximum Operating Conditions
 – 250 PSIG, 175°F

Bowl Capacity – 3.5 Oz.

Recommended Lubricants: Use a misting type oil rated 50 to 200 SSU (ISO grade 7 to 46) at 100°F. The oils must be compatible with materials of construction.

Materials

Body – Aluminum

Bowl – Aluminum

Sight Feed Dome – Transparent Nylon

Elastomers – Neoprene and Nitrile

Capsule (Micro-Lube) – Red Acetal

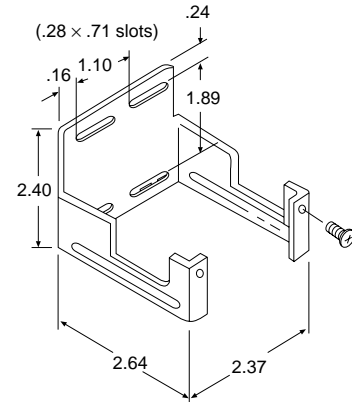
Liquid Level Indicator Lens – Transparent Nylon

ORDER BY CATALOG NUMBER OR ITEM CODE

Port Size (PTF)	Recommended Flow Range* (SCFM)	Standard Lubricators		Micro-Lube Lubricators	
		Catalog Number	Item Code	Catalog Number	Item Code
1/4	1.5 to 60	EN73220-MG	39923	EN73220-FMG	39922
3/8	1.5 to 60	EN73230-MG	39925	EN73230-FMG	39924
1/2	1.5 to 60	EN73240-MG	39927	EN73240-FMG	39926

*At 100 PSIG inlet pressure and 5 PSID

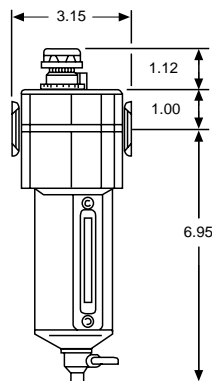
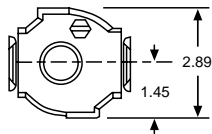
MOUNTING BRACKET



EN71208-B

ACCESSORIES / REPAIR PARTS, PAGE 15

Standard Models



Specifications

Port Sizes – 3/8", 1/2" and 3/4" PTF
 Maximum Operating Conditions
 – 250 PSIG, 175°F

Bowl Capacity – 7 Oz.

Recommended Lubricants: Use a misting type oil rated 50 to 200 SSU (ISO grade 7 to 46) at 100°F. The oils must be compatible with materials of construction.

Materials

Body – Aluminum

Bowl – Aluminum

Liquid Level Indicator – Transparent Nylon

Sight Feed Dome – Transparent Nylon

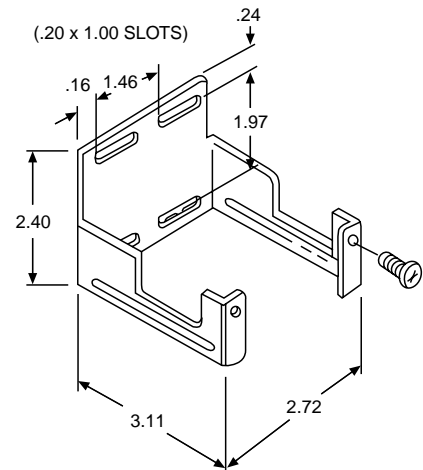
Elastomers – Neoprene and Nitrile

ORDER BY CATALOG NUMBER OR ITEM CODE

Port Size (PTF)	Recommended Flow Range* (SCFM)	Standard Lubricators		Micro-Lube Lubricators	
		Catalog Number	Item Code	Catalog Number	Item Code
3/8	2.5 to 40	EN63330-MG	70041	EN63330-FMG	70042
1/2	3.5 to 100	EN63340-MG	70043	EN63340-FMG	70044
3/4	3.5 to 100	EN63350-MG	70045	EN63350-FMG	70046

*At 100 PSIG inlet pressure and 5 PSID

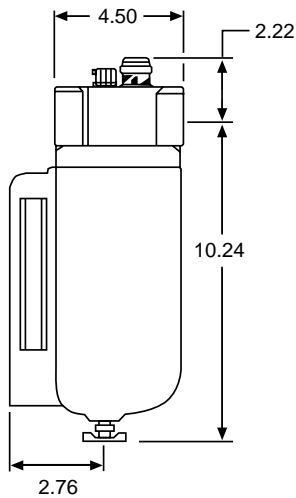
MOUNTING BRACKET



EN62308-B

ACCESSORIES / REPAIR PARTS, PAGE 15

Jumbo Models



Specifications

Port Sizes – 3/4, 1", 1-1/4" and 1-1/2" PTF
 Maximum Operating Conditions – 250 PSIG, 175°F
 Bowl Capacity – 1 Qt.
 Recommended Lubricants: Use a misting type oil rated 50 to 200 SSU (ISO grade 7 to 46) at 100°F. The oils must be compatible with materials of construction.

Materials

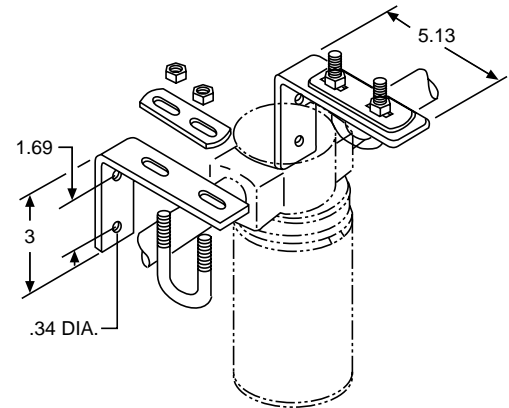
Body – Aluminum
 Bowl – Aluminum
 Sight Glass – Pyrex
 Sight Feed Dome – Transparent Nylon
 Elastomers – Neoprene and Acetal

ORDER BY CATALOG NUMBER OR ITEM CODE

Port Size (PTF)	Recommended Flow Range* (SCFM)	Standard Lubricators		Micro-Lube Lubricators	
		Catalog Number	Item Code	Catalog Number	Item Code
3/4	8 to 160	EN43450-MG	73957	EN43450-FMG	73973
1	8 to 275	EN43460-MG	73963	EN43460-FMG	73979
1-1/4	8 to 275	EN43470-MG	73965	EN43470-FMG	73981
1-1/2	8 to 275	EN43480-MG	73971	EN43480-FMG	73983

*At 100 PSIG inlet pressure and 5 PSID

MOUNTING BRACKET



ACCESSORIES / REPAIR PARTS, BELOW

EN41408-BA
 EN41408-BB

Lubricator — Accessories / Repair Parts

ORDER BY CATALOG NUMBER OR ITEM CODE

Description	Miniature		Compact		Standard		Jumbo	
	Catalog Number	Item Code	Catalog Number	Item Code	Catalog Number	Item Code	Catalog Number	Item Code
Service Kit (Seals)	EN43109	70991	EN73209	39841	EN63309	70682	EN43409	70985
Plastic Bowl	EN43109-PB	71074	EN63209-PB	70327				
Metal Bowl	EN43109-M	—	EN73209-MG	39845	EN63309-MG	70823	EN43409-MG	71083
Sight Dome Assembly Micro-Lubricators Standard-Lubricators	EN43109-D	70992	EN73109-D	39831	EN43109-D	70992	EN43109-D	70992
			EN73209-D	39832	EN43209-D	71012	EN43209-D	71012
Fill Plug	EN43109-FP	71785	EN63209-FP	70717	EN63209-FP	70717	EN43309-FP	71787
Manual Drain Kit					EN61009	71084	EN41009	71405
Mounting Bracket All 3/4 & 1" Ports 1-1/4 & 1-1/2 Ports	EN42108-BN	74706	EN71208-B	39846	EN62308-B	70677		
							EN41408-BA	76825
							EN41408-BB	76826
Tamper Resistant Kit	EN42108-TR	74775	EN73208-TR	39830	EN42108-TR	74775	EN42108-TR	74775
Connector†			EN61308-C	76812	EN61308-C	76812		
Connector with Mounting Feet†			EN61308-CB	76813	EN61308-CB	76813		
Mounting Feet†			EN61308-F	39833	EN61308-F	39833		

† See Page 22 for Dimensions

FILTER/REGULATORS



Boston Gear's Piggy-Back Filter / Regulators are designed for general applications in compressed air systems where effective filtration and reliable, accurate pressure regulation are required. The space saving design of combining the filter and regulator into a common body reduces the amount of space needed on the air line in half.

COMBINES ALL FEATURES OF SEPARATE FILTER AND REGULATOR IN ONE EXCELLENT FLOW REGULATION AND RESPONSE TIME.

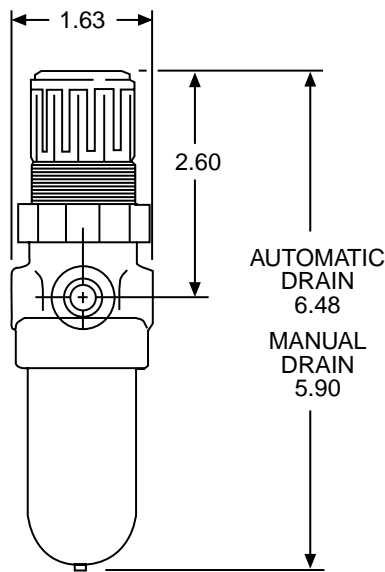
REMOVES LIQUID AND SOLID CONTAMINANTS to protect air tools and other equipment.

NON-RISING ADJUSTING KNOB with integral locking device.

BALANCED VALVE DESIGN minimizes the effect of variations in primary and secondary pressure.

EASILY DISASSEMBLED WITHOUT REMOVAL FROM AIR LINE TO SERVICE ATTRACTIVE, LIGHTWEIGHT, MODERN DESIGN STYLING.

Miniature Models



Specifications

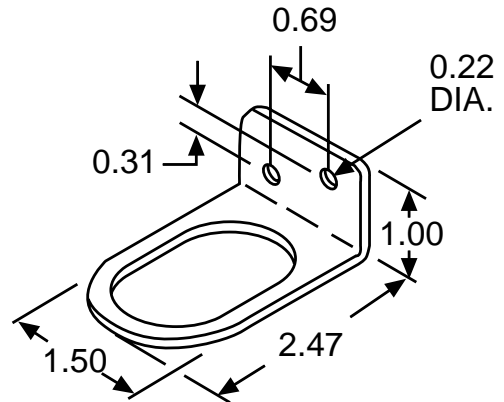
- Main Ports – 1/8" and 1/4" NPT
- Gauge Ports – Two 1/8" NPT, full flow
- Type – Diaphragm, Self Relieving
- Maximum Operating Conditions –
 - Plastic Bowl – 150 PSIG, 125°F
 - Metal Bowl – 250 PSIG, 175°F
- Filter Element
 - Standard – 5 Micron
 - Optional – 100 Micron
- Bowl
 - Standard – 1/2 Oz. Plastic
 - Optional – 1/2 Oz. Metal
- Drain – Manual or Automatic with 1/4" diameter tube connection
- Outlet Pressure Adjustment Range* –
 - Standard – 5 to 100 PSIG
 - Optional – 1 to 10 PSIG (LL)
 - Optional – 5 to 50 PSIG (L)

Materials

- Body – Zinc
- Bowl
 - Plastic – Polycarbonate
 - Metal – Zinc
- Filter Elements – Porous Polypropylene
- Bonnet – Acetal
- Valve – Brass/Nitrile or Geolast®
- Valve Seat – Nitrile
- Elastomers – Neoprene and Nitrile

*Outlet pressure adjustment ranges are not minimum or maximum outlet pressure limits. Regulators can be adjusted to zero PSIG outlet pressure and, generally, to pressures in excess of those specified. The use of these regulators to control pressures outside of the specified ranges is not recommended.

MOUNTING BRACKET



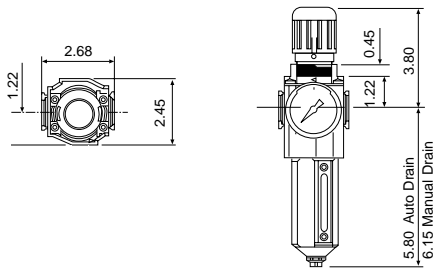
EN42108-BN

ORDER BY CATALOG NUMBER OR ITEM CODE

Port Size (NPT)	With Gauge		Without Gauge	
	Catalog Number	Item Code	Catalog Number	Item Code
AUTOMATIC DRAIN				
1/8	EN44111-G	74915	EN44111	74757
1/4	EN44121-G	74916	EN44121	74758
MANUAL DRAIN				
1/8	EN44110-G	74913	EN44110	74755
1/4	EN44120-G	74914	EN44120	74756

FILTER/REGULATORS

Compact Models



Specifications

Main Ports – 1/4", 3/8", and 1/2" PTF
 Gauge Ports – Two 1/4" PTF, full flow
 Type – Diaphragm, Self Relieving
 Maximum Operating Conditions – 250 PSIG, 175°F
 Filter Element – Standard – 40 Micron;
 Optional – 5 and 25 Micron
 Bowl – 1.9 Oz. Metal with Liquid Level Indicator
 Drain – Manual – 7/16-24 UNS Male Thread
 Automatic – 3/8 PTF Connection
 Outlet Pressure Adjustment Range* – Standard – 5 to 150 PSIG
 Optional – 5 to 60 PSIG (L)
 Optional – 10 to 250 PSIG (H)

Materials

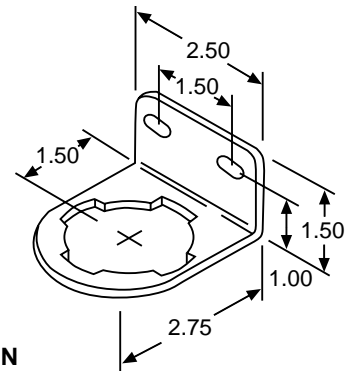
Body–Aluminum
 Bowl–Aluminum
 Filter Elements–Sintered Polypropylene
 Bonnet–Aluminum
 Valve–Brass
 Bottom Plug–Acetal
 Elastomers–Nitrile and Neoprene
 Liquid Level Indicator–Transparent Nylon

*Outlet pressure adjustment ranges are not minimum or maximum outlet pressure limits. Regulators can be adjusted to zero PSIG outlet pressure and, generally, to pressures in excess of those specified. The use of these regulators to control pressures outside of the specified ranges is not recommended.

ORDER BY CATALOG NUMBER OR ITEM CODE

Port Size (PTF)	With Gauge		Without Gauge	
	Catalog Number	Item Code	Catalog Number	Item Code
AUTOMATIC DRAIN				
1/4	EN74221-MGG	39857	EN74221-MG	39855
3/8	EN74231-MGG	39861	EN74231-MG	39859
1/2	EN74241-MGG	39865	EN74241-MG	39863
MANUAL DRAIN				
1/4	EN74220-MGG	39858	EN74220-MG	39856
3/8	EN74230-MGG	39862	EN74230-MG	39860
1/2	EN74240-MGG	39866	EN74240-MG	39864

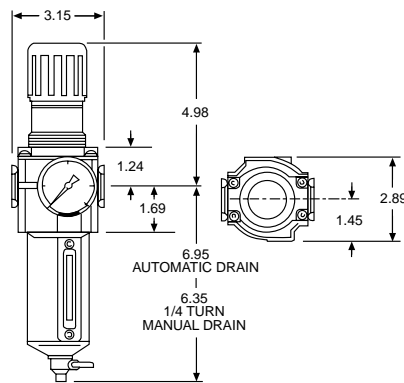
MOUNTING BRACKET



EN62208-BN

ACCESSORIES / REPAIR PARTS, PAGE 18

Standard Models



Specifications

Main Ports – 3/8", 1/2" and 3/4" PTF
 Gauge Ports – Two 1/4" PTF, full flow
 Type – Diaphragm, Self Relieving
 Maximum Operating Conditions – 250 PSIG, 175°F
 Filter Element
 Standard – 40Micron
 Optional – 5 and 75 Micron
 Bowl – 7 Oz. with Liquid Level Indicator
 Drain – Manual or Automatic with 1/8" NPTF connection
 Outlet Pressure Adjustment Range* – Standard – 5 to 150 PSIG
 Optional – 5 to 60 PSIG (L)

Materials

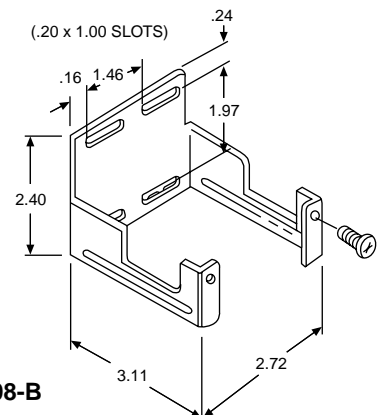
Body–Aluminum
 Bowl–Aluminum with Nylon Level
 Filter Elements–Porous Polypropylene
 Bonnet–Aluminum
 Valve–Brass
 Bottom Plug–Acetal
 Elastomers–Neoprene and Nitrile

*Outlet pressure adjustment ranges are not minimum or maximum outlet pressure limits. Regulators can be adjusted to zero PSIG outlet pressure and, generally, to pressures in excess of those specified. The use of these regulators to control pressures outside of the specified ranges is not recommended.

ORDER BY CATALOG NUMBER OR ITEM CODE

Port Size (PTF)	With Gauge		Without Gauge	
	Catalog Number	Item Code	Catalog Number	Item Code
AUTOMATIC DRAIN				
3/8	EN64331-MGG	70628	EN64331-MG	70629
1/2	EN64341-MGG	70630	EN64341-MG	70631
3/4	EN64351-MGG	70632	EN64351-MG	70633
MANUAL DRAIN				
3/8	EN64330-MGG	70634	EN64330-MG	70635
1/2	EN64340-MGG	70636	EN64340-MG	70637
3/4	EN64350-MGG	70638	EN64350-MG	70639

MOUNTING BRACKET



EN62308-B

ACCESSORIES / REPAIR PARTS, PAGE 18

FILTER / REGULATORS

Piggy-Back Filter/Regulator — Accessories / Repair Parts

ORDER BY CATALOG NUMBER OR ITEM CODE

Description	Miniature		Compact		Standard	
	Catalog Number	Item Code	Catalog Number	Item Code	Catalog Number	Item Code
Service Kit (Seals)	EN42109	70755	EN74209	39842	EN64309	70681
Plastic Bowl Manual Drain Automatic Drain	EN41109-PBT EN41109-PBAT	74144 74787	EN61209-PB —	70324 —		
Metal Bowl Manual Drain Automatic Drain	EN41109-MB EN41109-MAT	74142 74143	EN71209-MG EN71209-MGA	39843 39844	EN61309-MG EN61309-MGA	76811 71082
Filter Element 5 Micron 25 Micron 40 Micron 50 Micron 75 Micron 100 Micron	EN41109-5 EN41109-100	74735 —	EN71209-5 EN71209-25 EN71209-40	39850 39851 39852	EN61309-5 EN61309-40 EN61309-75	70670 70671 —
Automatic Drain Kit			EN71001	39829	EN41001	74752
Manual Drain Kit			EN61009	71084	EN61009	71084
Adjustment Spring 1 to 10 (LL) 5 to 50 (L) 5 to 60 (L) 5 to 100 (Std) 5 to 125 (Std) 5 to 150 (Std) 12 to 250 (H)	EN42108-LL EN42108-L EN42108	70799 70800 70814	EN72208-L EN72208 EN72208-H	39847 39848 39849	EN62308-L EN62308	71011 71010
Mounting Bracket Mounting Bracket With Panel Nut Panel Nut	EN42108-B EN42108-BN EN42108-N	74770 74706 74817	EN62208-BN EN62208-N	70336 70978	EN62308-B EN62309-N	70677 70680
Tamper Resistant Kit	EN42108-TRN*	76814	EN72208-TR	39854	EN62309-TR	76815
Connector † Connector with Mounting Feet † Mounting Feet †			EN61308-C EN61308-CB EN61308-F	76812 76813 39833	EN61308-C EN61308-CB EN61308-F	76812 76813 39833

*Adjustment knob with locking screw

† See Page 22 For Dimensions

Air Pressure Gauges



Specifications

Scale – Dual, PSI and Kpa

Dial Ranges – 0-30 PSIG

0-60 PSIG

0-160 PSIG

0-300 PSIG

Accuracy – 3%-2%-3%

Temperature Range – – 10°F to

140°F

Connection Location – Centered

on back

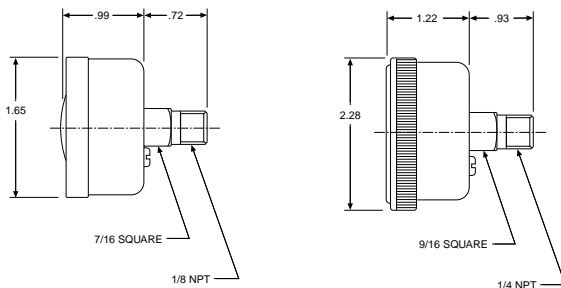
Materials

Case – ABS Plastic

Window – Acrylic

Bourdon Tube – Copper Alloy

Connection – Copper Alloy



ORDER BY CATALOG NUMBER OR ITEM CODE

Pipe Size (NPT)	Pressure Range (PSIG)	Series	Catalog Number	Item Code	Use with Model
1/8	0-30	Miniature	E61-1C030	78400	–LL
	0-60		E61-1C060	78401	–L
	0-160		E61-1C0160	70515	(STD)
1/4	0-60	Compact, Standard, and Jumbo	E61-2C060	70796	–L
	0-160		E61-2C0160	70516	(STD)
	0-300		E61-2C0300	70797	–H

RELIEF VALVES



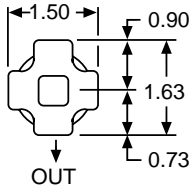
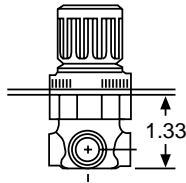
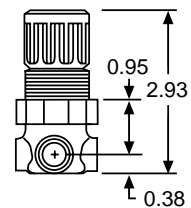
A relief valve is used in a compressed air system to retard excessive air pressure buildup and thereby help prevent damage to system components.

FEATURES

ATTRACTIVE, LIGHTWEIGHT STYLING
 STANDARD NON-RISING ADJUSTING KNOB with integral locking device which can be made tamper resistant
 INLINE MOUNTING
 EASILY DISASSEMBLED FOR SERVICING without removal from air line. (Air Pressure Off)

Miniature Models

PANEL MOUNTING



PANEL MOUNTING HOLE:
 1.19 DIA.
 MAXIMUM PANEL THICKNESS: 0.25

Specifications

Main Ports – 1/8" and 1/4" NPT
 Type – Diaphragm
 Operating Conditions –
 Maximum Inlet Pressure – 300 PSIG
 Temperature Range – 0-150°F
 Gauge Ports – Two 1/8" NPT, Full Flow
 Outlet Pressure Adjustment Range* –
 Standard – 5 to 100 PSIG
 Optional – 1 to 10 PSIG (LL)
 Optional – 2 to 50 PSIG (L)

Materials

Body – Zinc
 Bonnet – Acetal
 Valve – Brass/Nitrile or Geolast®
 Valve Seat – Acetal
 Elastomers – Nitrile

*Outlet pressure adjustment ranges are not minimum or maximum pressure limits. Relief valves can be adjusted to zero PSIG relief pressure and, generally, to pressures in excess of those specified. The use of these relief valves to control pressures outside of the specified ranges is not recommended.

ORDER BY CATALOG NUMBER OR ITEM CODE

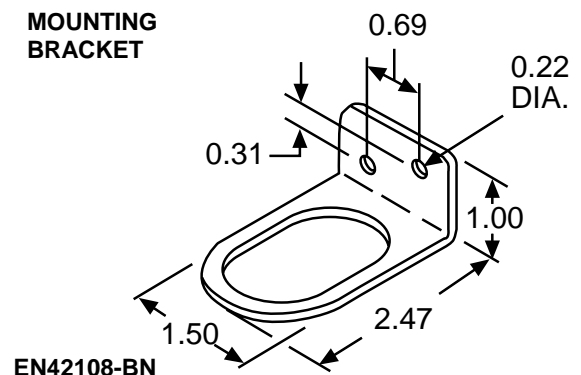
Port Size (NPT)	Catalog Number	Item Code
1/8	EN49110	74986
1/4	EN49120	74987

Accessories/Repair Parts

Item	Catalog Number	Item Code
Adjustment Spring		
5 to 100 (Standard)	EN42108	70814
1 to 10 (LL)	EN42108-LL	70799
5 to 50 (L)	EN42108-L	70800
Panel Nut (Plastic)	EN42108-N	74817
Mounting Bracket	EN42108-B	74770
Mounting Bracket with Panel Nut	EN42108-BN	74706
Tamper Resistant Kit*	EN42108-TRN	76814

*Adjustment knob with locking screw

MOUNTING BRACKET

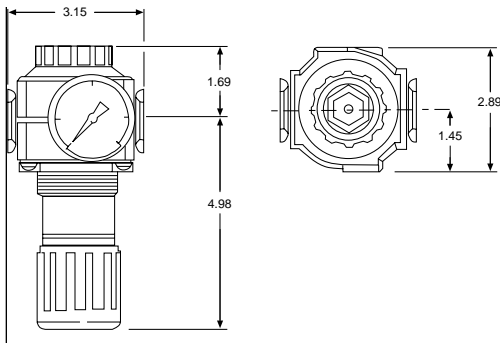


BOSTON GEAR®

Fluid Power Catalog

RELIEF VALVES

Standard Models



Specifications

Main Ports – 3/8", 1/2" and 3/4" PTF
 Type – Diaphragm
 Operating Conditions –
 Maximum Inlet Pressure –
 300 PSIG
 Temperature Range – 0-175°F
 Gauge Ports – Two 1/4" PTF,
 Full Flow
 Outlet Pressure Adjustment Range* –
 Standard – 5 to 150 PSIG
 Optional – 5 to 60 PSIG (L)

Materials

Body – Aluminum
 Bonnet – Aluminum
 Valve – Brass
 Elastomers – Nitrile
 Bottom Plug – Acetal

*Outlet pressure adjustment ranges are not minimum or maximum pressure limits. Relief valves can be adjusted to zero PSIG relief pressure and, generally, to pressures in excess of those specified. The use of these relief valves to control pressures outside of the specified ranges is not recommended.

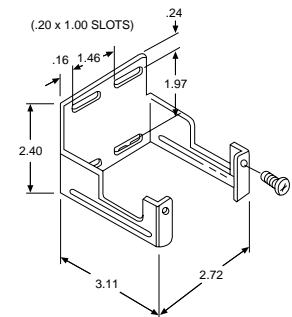
ORDER BY CATALOG NUMBER OR ITEM CODE

Port Size (PTF)	Catalog Number	Item Code
3/8	EN69330	79081
1/2	EN69340	79082
3/4	EN69350	79080

Accessories/Repair Parts

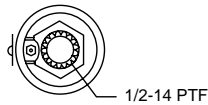
Item	Catalog Number	Item Code
Adjustment Spring		
5 to 150 (Standard)	EN62308	71010
5 to 60 (L)	EN62308-L	71011
Panel Nut (Zinc)	EN62309-N	70680
Mounting Bracket	EN62308-B	70677
Tamper Resistant Kit	EN62308-TR	76815

MOUNTING BRACKET



EN62308-B

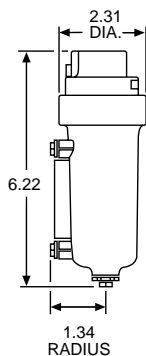
Drip Leg Automatic Drain



The Boston Automatic Drip Leg Drain should be installed at low points in the piping and at the far end of the distribution system where water is likely to accumulate.

Features

THREADED BOWL for easy removal
 1/8" NPT PORTED AUTOMATIC DRAIN for ease in piping away expelled liquid
 AUTOMATIC DRAIN VALVE actuated by water level on float in normal pressurized service.
 Opens when system is unpressurized, allowing water to escape by gravity.
 EASILY DISASSEMBLED and SERVICED without tools or removal from air line (air pressure off).



Specifications

Port Size – 1/2" NPT
 Maximum Operating Conditions – 250 PSIG,
 175°F
 Bowl Capacity – 1/3 pt. Metal Bowl with Sight Glass

Materials

Body – Zinc
 Bowl – Zinc
 Elastomers – Neoprene and Buna-N

Accessories/Repair Parts

ORDER BY CATALOG NUMBER OR ITEM CODE

Port Size NPT	Catalog Number	Item Code
1/2	EN49241-MG	74984

ORDER BY CATALOG NUMBER OR ITEM CODE

Description	Catalog Number	Item Code
Automatic Drain Kit	EN41001	74752
Metal Bowl	EN61209-MGA	70329

SHUT-OFF VALVES



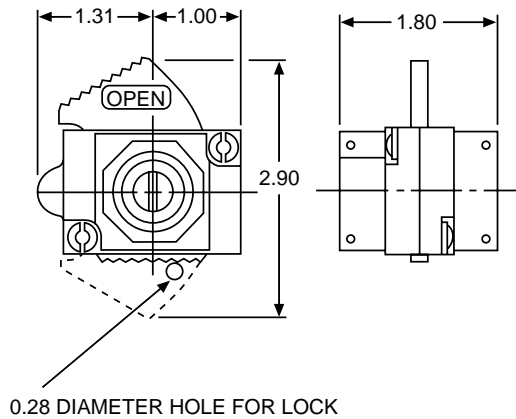
Shut-Off Valves, typically attach to the inlet end of a combination unit, are manually operated, slide type valves that open and close with a short one-inch movement of the slide. The valve slide can be locked in the closed position with a customer supplied padlock. The standard valve is a 3-way valve that exhausts downstream air in the closed position.

SPECIFICATIONS

Ports – 1/4", 3/8" and 1/2" PTF
 Operating Conditions –
 Maximum Inlet Pressure – 250 PSIG
 Temperature Range – 0 to 175°F

MATERIALS

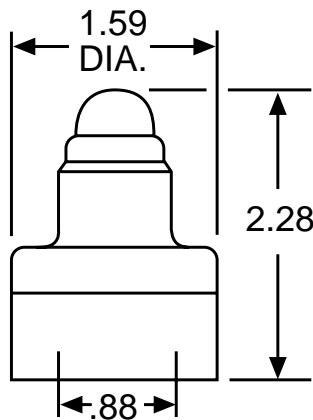
Body – Zinc
 Slide – Acetal
 Elastomers – Nitrile



ORDER BY CATALOG NUMBER OR ITEM CODE

Port Size (PTF)	Catalog Number	Item Code
1/4	EN60223	70311
3/8	EN60233	70312
1/2	EN60243	70547

Differential Pressure Indicator



The differential pressure indicator, using the familiar "stop" and "go" colors, red and green, is used to monitor the pressure drop across air line filters and other components. It is a standard feature on all Boston Oil Removal Filters. The Differential Pressure Indicator can also be used inline to measure pressure drop across any device in an air circuit.

Color Code

GREEN: Pressure drop less than 6 psig
 GREEN/RED: Pressure drop between 6 and 15 psig
 RED: Pressure drop greater than 15 psig

Specifications

Ports – 1/8" PTF
 Maximum Rated Operating Conditions –
 250 psig, 175°F

Materials

Body – Aluminum
 Lens – Polycarbonate
 Internal Parts – Stainless Steel, ABS and Acetal
 Elastomers – Buna-N

ORDER BY CATALOG NUMBER OR ITEM CODE

Description	Catalog Number	Item Code
Differential Pressure Indicator	EN41218	74816
Replacement Unit for Oil Removal Filters	EN5796-50	74976
Service Kit	ENP0550A-02	74975

COMBINATION ASSEMBLIES

Filter – Regulator – Lubricator Combination Units

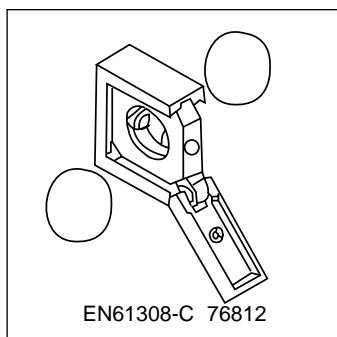
ORDER BY CATALOG NUMBER OR ITEM CODE

Port Size	Drain	Lubricator Style	Catalog Number	Item Code	Consisting of:		
					Filter	Regulator with Gauge	Lubricator
MINIATURE							
1/8 1/4	Automatic	Micro-Lube	EN45111-F EN45121-F	74939 74940	EN41111 EN41121	EN42110-G EN42120-G	EN43111-F EN43121-F
1/8 1/4	Manual	Micro-Lube	EN45110-F EN45120-F	74849 74850	EN41110 EN41120	EN42110-G EN42120-G	EN43111-F EN43121-F
COMPACT*							
1/4 3/8 1/2	Automatic	Micro-Lube	EN75221-FMG EN75231-FMG EN75241-FMG	39867 39869 39873	EN71221-MG EN71231-MG EN71241-MG	EN72220-G EN72230-G EN72240-G	EN73220-FMG EN73230-FMG EN73240-FMG
1/4 3/8 1/2	Manual	Micro-Lube	EN75220-FMG EN75230-FMG EN75240-FMG	39868 39870 39871	EN71220-MG EN71230-MG EN71240-MG	EN72220-G EN72230-G EN72240-G	EN73220-FMG EN73230-FMG EN73240-FMG
1/4 3/8 1/2	Automatic	Standard	EN75221-MG EN75231-MG EN75241-MG	39872 39875 39877	EN71221-MG EN71231-MG EN71241-MG	EN72220-G EN72230-G EN72240-G	EN73220-MG EN73230-MG EN73240-MG
1/4 3/8 1/2	Manual	Standard	EN75220-MG EN75230-MG EN75240-MG	39874 39876 39878	EN71220-MG EN71230-MG EN71240-MG	EN72220-G EN72230-G EN72240-G	EN73220-MG EN73230-MG EN73240-MG
STANDARD*							
3/8 1/2 3/4	Automatic	Micro-Lube	EN65331-FMG EN65341-FMG EN65351-FMG	70947 70948 70949	EN61331-MG EN61341-MG EN61351-MG	EN62330-G EN62340-G EN62350-G	EN63330-FMG EN63340-FMG EN63350-FMG
3/8 1/2 3/4	Manual	Micro-Lube	EN65330-FMG EN65340-FMG EN65350-FMG	70950 70951 70952	EN61330-MG EN61340-MG EN61350-MG	EN62330-G EN62340-G EN62350-G	EN63330-FMG EN63340-FMG EN63350-FMG
3/8 1/2 3/4	Automatic	Standard	EN65331-MG EN65341-MG EN65351-MG	70619 70620 70621	EN61331-MG EN61341-MG EN61351-MG	EN62330-G EN62340-G EN62350-G	EN63330-MG EN63340-MG EN63350-MG
3/8 1/2 3/4	Manual	Standard	EN65330-MG EN65340-MG EN65350-MG	70622 70623 70806	EN61330-MG EN61340-MG EN61350-MG	EN62330-G EN62340-G EN62350-G	EN63330-MG EN63340-MG EN63350-MG
JUMBO							
3/4 1 1-1/4 1-1/2	Automatic	Micro-Lube	EN45451-FMG EN45461-FMG EN45471-FMG EN45481-FMG	73899 73900 73901 73902	EN41451-MG EN41461-MG EN41471-MG EN41481-MG	EN42450-G EN42460-G EN42470-G EN42480-G	EN43450-FMG EN43460-FMG EN43470-FMG EN43480-FMG
3/4 1 1-1/4 1-1/2	Manual	Micro-Lube	EN45450-FMG EN45460-FMG EN45470-FMG EN45480-FMG	73989 73990 73991 73992	EN41450-MG EN41460-MG EN41470-MG EN41480-MG	EN42450-G EN42460-G EN42470-G EN42480-G	EN43450-FMG EN43460-FMG EN43470-FMG EN43480-FMG
3/4 1 1-1/4 1-1/2	Automatic	Standard	EN45451-MG EN45461-MG EN45471-MG EN45481-MG	73895 73896 73897 73898	EN41451-MG EN41461-MG EN41471-MG EN41481-MG	EN42450-G EN42460-G EN42470-G EN42480-G	EN43450-MG EN43460-MG EN43470-MG EN43480-MG
3/4 1 1-1/4 1-1/2	Manual	Standard	EN45450-MG EN45460-MG EN45470-MG EN45480-MG	73985 73986 73987 73988	EN41450-MG EN41460-MG EN41470-MG EN41480-MG	EN42450-G EN42460-G EN42470-G EN42480-G	EN43450-MG EN43460-MG EN43470-MG EN43480-MG

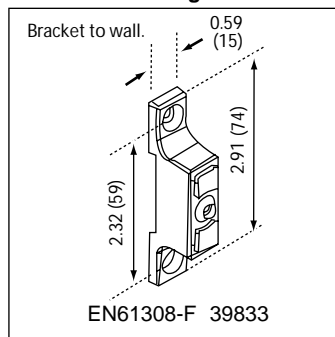
* Compact & Standard FRLs use connector (EN61308-C) To attach components, Miniature or Jumbo use brass fittings.

Dimensions, Compact and Standard Units

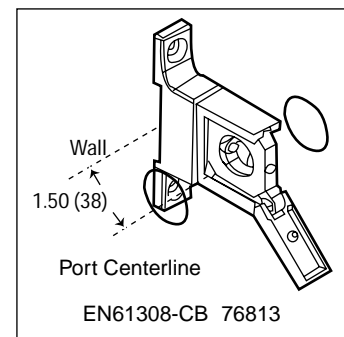
Connector



Mounting Feet



Connector With Feet



COMBINATION ASSEMBLIES

Piggy-Back Filter/Regulator – Lubricator Combination Units

ORDER BY CATALOG NUMBER OR ITEM CODE

Port Size	Drain	Lubricator Style	Catalog Number	Item Code	Consisting of:	
					Filter/Regulator with Gauge	Lubricator
MINIATURE						
1/8 1/4	Automatic	Micro-Lube	EN45115-F EN45125-F	74941 74942	EN44111-G EN44121-G	EN43111-F EN43121-F
1/8 1/4	Manual	Micro-Lube	EN45114-F EN45124-F	74851 74888	EN44110-G EN44120-G	EN43111-F EN43121-F
COMPACT*						
1/4 3/8 1/2	Automatic	Micro-Lube	EN75225-FMG EN75235-FMG EN75245-FMG	39903 39904 39906	EN74221-G EN74231-G EN74241-G	EN73220-FMG EN73230-FMG EN73240-FMG
1/4 3/8 1/2	Manual	Micro-Lube	EN75224-FMG EN75234-FMG EN75244-FMG	39902 39905 39907	EN74220-G EN74230-G EN74240-G	EN73220-FMG EN73230-FMG EN73240-FMG
1/4 3/8 1/2	Automatic	Standard	EN75225-MG EN75235-MG EN75245-MG	39908 39910 39911	EN74221-G EN74231-G EN74241-G	EN73220-MG EN73230-MG EN73240-MG
1/4 3/8 1/2	Manual	Standard	EN75224-MG EN75234-MG EN75244-MG	39909 39912 39913	EN74220-G EN74230-G EN74240-G	EN73220-MG EN73230-MG EN73240-MG
STANDARD*						
3/8 1/2 3/4	Automatic	Micro-Lube	EN65335-FMG EN65345-FMG EN65355-FMG	70741 70758 70769	EN64331-MGG EN64341-MGG EN64351-MGG	EN63330-FMG EN63340-FMG EN63350-FMG
3/8 1/2 3/4	Manual	Micro-Lube	EN65334-FMG EN65344-FMG EN65354-FMG	70752 70772 70781	EN64330-MGG EN64340-MGG EN64350-MGG	EN63330-FMG EN63340-FMG EN63350-FMG
3/8 1/2 3/4	Automatic	Standard	EN65335-MG EN65345-MG EN65355-MG	70754 71075 71076	EN64331-MGG EN64341-MGG EN64351-MGG	EN63330-MG EN63340-MG EN63350-MG
3/8 1/2 3/4	Manual	Standard	EN65334-MG EN65344-MG EN65354-MG	70756 71077 71078	EN64330-MGG EN64340-MGG EN64350-MGG	EN63330-MG EN63340-MG EN63350-MG

* Compact & Standard FRLs use connector (EN61308-C) To attach components, Miniature or Jumbo use brass fittings.

Filter – Regulator Combination Units

ORDER BY CATALOG NUMBER OR ITEM CODE

Drain	Port Size	Catalog Number	Item Code	Consisting of:	
				Filter	Regulator with Gauge
COMPACT*					
1/4 3/8 1/2	Automatic	EN76221-MG EN76231-MG EN76241-MG	39880 39882 39883	EN71221-MG EN71231-MG EN71241-MG	EN72220-G EN72230-G EN72240-G
1/4 3/8 1/2	Manual	EN76220-MG EN76230-MG EN76240-MG	39879 39881 39884	EN71220-MG EN71230-MG EN71240-MG	EN72220-G EN72230-G EN72240-G
STANDARD*					
3/8 1/2 3/4	Automatic	EN66331-MG EN66341-MG EN66351-MG	70745 70746 70747	EN61331-MG EN61341-MG EN61351-MG	EN62330-G EN62340-G EN62350-G
3/8 1/2 3/4	Manual	EN66330-MG EN66340-MG EN66350-MG	70748 70749 70813	EN61330-MG EN61340-MG EN61350-MG	EN62330-G EN62340-G EN62350-G
JUMBO					
3/4 1 1-1/4 1-1/2	Automatic	EN46451-MG EN46461-MG EN46471-MG EN46481-MG	73907 73908 73909 73910	EN41451-MG EN41461-MG EN41471-MG EN41481-MG	EN42450-G EN42460-G EN42470-G EN42480-G
3/4 1 1-1/4 1-1/2	Manual	EN46450-MG EN46460-MG EN46470-MG EN46480-MG	73903 73904 73905 73906	EN41450-MG EN41460-MG EN41470-MG EN41480-MG	EN42450-G EN42460-G EN42470-G EN42480-G

* Compact & Standard FRLs use connector (EN61308-C) To attach components, Miniature or Jumbo use brass fittings.

COMBINATION ASSEMBLIES

Filter – Lubricator Combination Units

ORDER BY CATALOG NUMBER OR ITEM CODE

Port Size	Drain	Lubricator Style	Catalog Number	Item Code	Consisting of:	
					Filter	Lubricator
MINIATURE						
1/8 1/4	Automatic	Micro-Lube	EN47111-F EN47121-F	74943 74944	EN41111 EN41121	EN43111-F EN43121-F
1/8 1/4	Manual	Micro-Lube	EN47110-F EN47120-F	74895 74896	EN41110 EN41120	EN43111-F EN43121-F
COMPACT*						
1/4 3/8 1/2	Automatic	Micro-Lube	EN77221-FMG EN77231-FMG EN77241-FMG	39888 39890 39892	EN71221-MG EN71231-MG EN71241-MG	EN73220-FMG EN73230-FMG EN73240-FMG
1/4 3/8 1/2	Manual	Micro-Lube	EN77220-FMG EN77230-FMG EN77240-FMG	39889 39891 39895	EN71220-MG EN71230-MG EN71240-MG	EN73220-FMG EN73230-FMG EN73240-FMG
1/4 3/8 1/2	Automatic	Standard	EN77221-MG EN77231-MG EN77241-MG	39896 39898 39900	EN71221-MG EN71231-MG EN71241-MG	EN73220-MG EN73230-MG EN73240-MG
1/4 3/8 1/2	Manual	Standard	EN77220-MG EN77230-MG EN77240-MG	39897 39899 39901	EN71220-MG EN71230-MG EN71240-MG	EN73220-MG EN73230-MG EN73240-MG
STANDARD*						
3/8 1/2 3/4	Automatic	Micro-Lube	EN67331-FMG EN67341-FMG EN67351-FMG	70640 70641 70642	EN61331-MG EN61341-MG EN61351-MG	EN63330-FMG EN63340-FMG EN63350-FMG
3/8 1/2 3/4	Manual	Micro-Lube	EN67330-FMG EN67340-FMG EN67350-FMG	70643 70599 70816	EN61330-MG EN61340-MG EN61350-MG	EN63330-FMG EN63340-FMG EN63350-FMG
3/8 1/2 3/4	Automatic	Standard	EN67331-MG EN67341-MG EN67351-MG	70736 70737 70743	EN61331-MG EN61341-MG EN61351-MG	EN63330-MG EN63340-MG EN63350-MG
3/8 1/2 3/4	Manual	Standard	EN67330-MG EN67340-MG EN67350-MG	70744 71072 71073	EN61330-MG EN61340-MG EN61350-MG	EN63330-MG EN63340-MG EN63350-MG
JUMBO						
3/4 1 1-1/4 1-1/2	Automatic	Micro-Lube	EN47451-FMG EN47461-FMG EN47471-FMG EN47481-FMG	73923 73924 73925 73926	EN41451-MG EN41461-MG EN41471-MG EN41481-MG	EN43450-FMG EN43460-FMG EN43470-FMG EN43480-FMG
3/4 1 1-1/4 1-1/2	Manual	Micro-Lube	EN47450-FMG EN47460-FMG EN47470-FMG EN47480-FMG	73919 73920 73921 73922	EN41450-MG EN41460-MG EN41470-MG EN41480-MG	EN43450-FMG EN43460-FMG EN43470-FMG EN43480-FMG
3/4 1 1-1/4 1-1/2	Automatic	Standard	EN47451-MG EN47461-MG EN47471-MG EN47481-MG	73915 73916 73917 73918	EN41451-MG EN41461-MG EN41471-MG EN41481-MG	EN43450-MG EN43460-MG EN43470-MG EN43480-MG
3/4 1 1-1/4 1-1/2	Manual	Standard	EN47450-MG EN47460-MG EN47470-MG EN47480-MG	73911 73912 73913 73914	EN41450-MG EN41460-MG EN41470-MG EN41480-MG	EN43450-MG EN43460-MG EN43470-MG EN43480-MG

* Compact & Standard FRLs use connector (EN61308-C) To attach components, Miniature or Jumbo use brass fittings.